



# HEADLIGHT INSTALLATION GUIDE

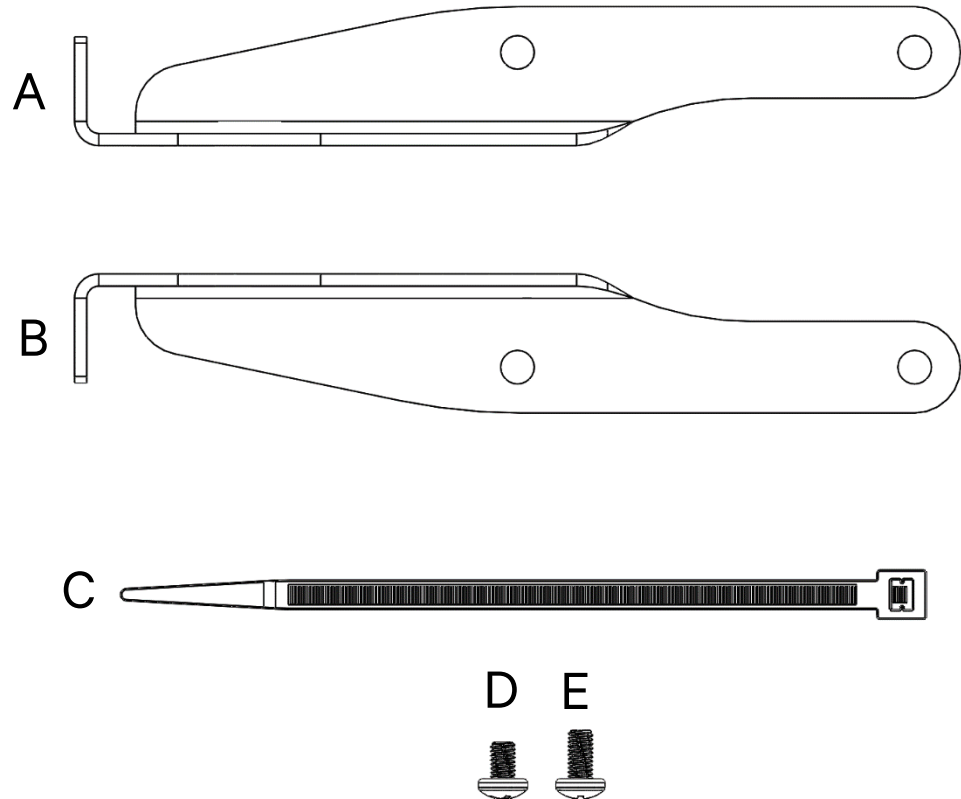
PERMOBIL M3 / M5

## PACKAGE CONTENTS

- A. P002-324-R Mounting Bracket (1)
- B. P002-324-L Mounting Bracket (1)
- C. Cable Tie (2)
- D. M4-0.7 x 6mm Philips Head Screw (2)
- E. M4-0.7 x 8mm Philips Head Screw (4)

### NOTE: You will also need:

- Philips P1 Screwdriver
- 3mm Allen Wrench
- 4mm Allen Wrench





# HEADLIGHT INSTALLATION GUIDE

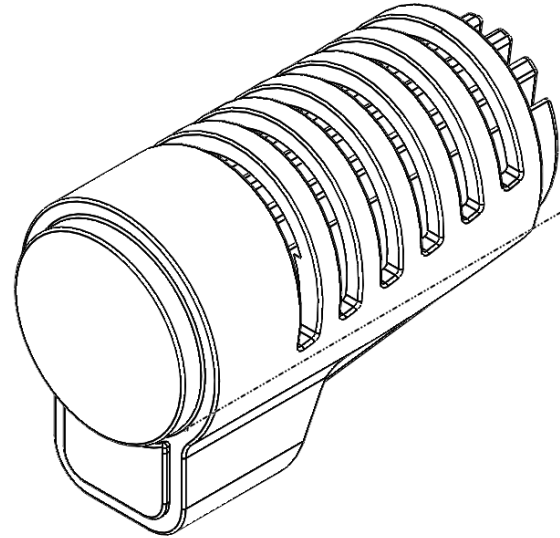
PERMOBIL M3 / M5

## STEP 1 – REMOVE HEADLIGHTS FROM ORIGINAL MOUNTS

### Tools Required

3mm Allen Wrench

4mm Allen Wrench



If Permobil headlights are already installed on the wheelchair, remove the headlight assembly from the front caster arm using 4mm Allen wrench. Pull straight up on the assembly to remove it from the arm. The mounting screws do not need to be reinstalled.

Using the 3mm Allen Wrench, remove the headlight module from the existing mounting bracket. Free the headlight power cable from any cable guides or tie-downs on the wheelchair suspension arm to ensure there is enough slack in the headlight power cable.

At the end of this step you should have two headlight modules (left and right) with no screws or brackets attached.



# HEADLIGHT INSTALLATION GUIDE

PERMOBIL M3 / M5

## STEP 2 - INSTALL HEADLIGHTS ONTO NEW BRACKETS

### Tools Required

Philips P1 Screwdriver

Headlight Mounting  
Brackets (A and B)

Cable Tie (C)

M4 x 6mm Screw (D)

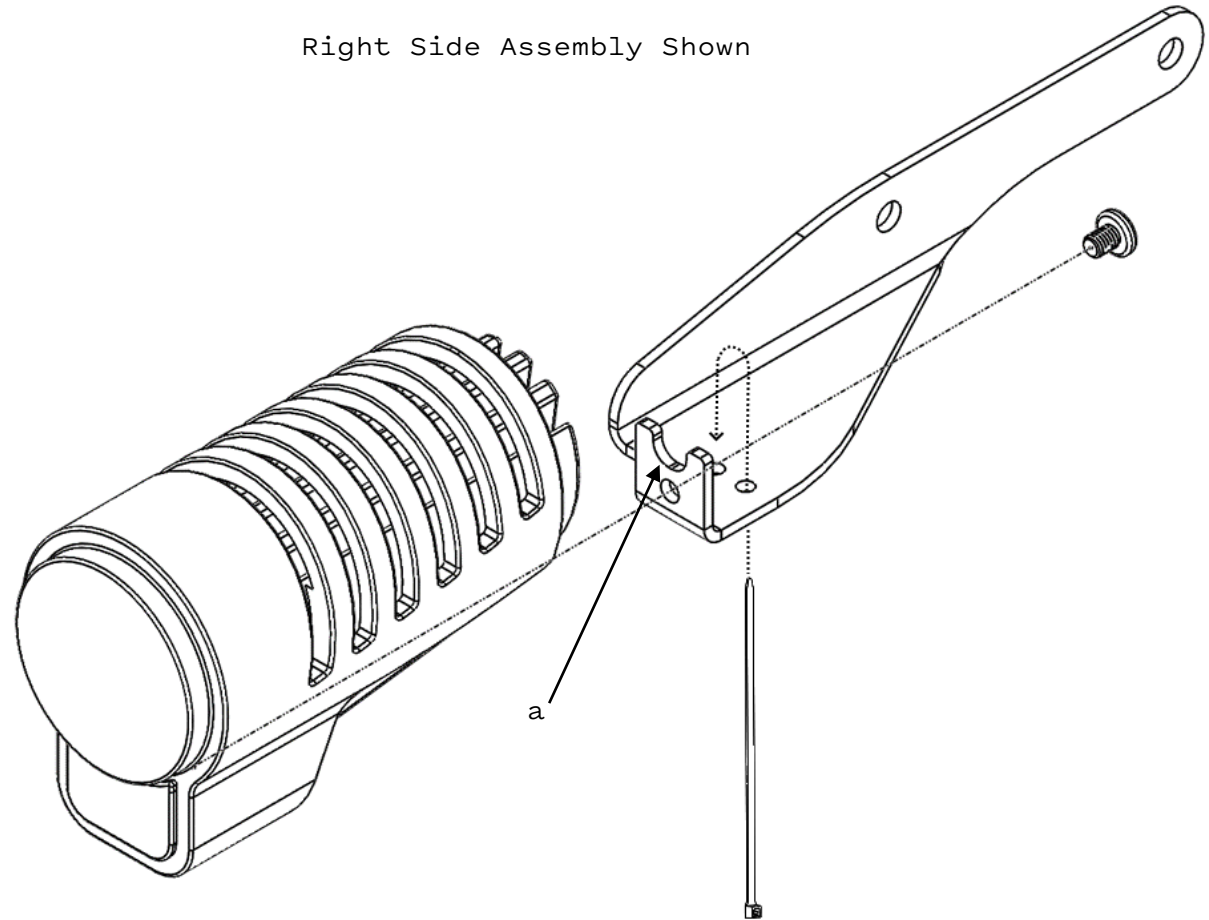
Hold the bracket up to the power cable so that the cable rests in the groove in the bracket's mounting face (a). Loop the cable tie (C) up through the outside hole and around the cable, then down through the inner hole as shown, then close the cable tie but do not tighten it yet.

Install the headlight onto the new bracket using the M4 screw (D).

After tightening the headlight to the bracket, tighten the cable tie to secure the headlight power cable. Trim excess length of cable tie.

Repeat procedure for other side.

Right Side Assembly Shown





# HEADLIGHT INSTALLATION GUIDE

PERMOBIL M3 / M5

## STEP 3 – INSTALL BRACKET ASSEMBLY ONTO SMART FRAME

### Tools Required

Philips P1 Screwdriver

M4 x 8mm Screw (E)

Raise or tilt the seating assembly to make the mounting screws easier to access. Remove the two screws holding the front Fusion Sensor Pod to the Smart Frame. NOTE: These screws may be difficult to remove due to thread locking compound; be careful not to strip the screw heads.

Using the M4 x 8mm screws, loosely mount the bracket assembly between the smart frame and sensor pod using the correct holes for the model of chair. Push the bracket and pod upward so that they are flush against the lower surface of the smart frame to level the assembly, then tighten the screws. We recommend that you use a small amount of thread lock compound on these screws.

Repeat the process on the other side of the chair.

