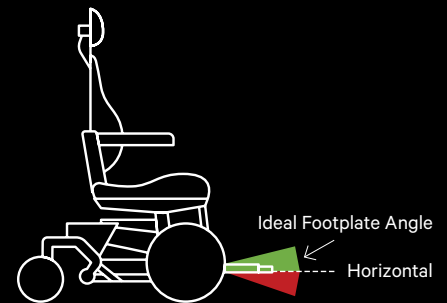


## QUICK SETUP

Seven easy steps for clinicians and technicians to set up a new LUCI user's wheelchair.

### 1 ADJUST THE SEATING SYSTEM

Set up the wheelchair seating system for the user as you normally would, adjusting the seat, armrests and footplate. Get the user into their typical driving position.



### 2 CHECK THE SCOUT

Scout is LUCI's forward facing sensor, and the first line of defense in collision avoidance. In order to work properly, it needs to be level with the ground or pointing slightly up. For most users, the default Scout position works great. For users whose normal driving position points the footplate down at the ground or significantly up toward the ceiling, the Scout can be leveled with the adjustable bracket.



### 3 CHECK THE SENSORS

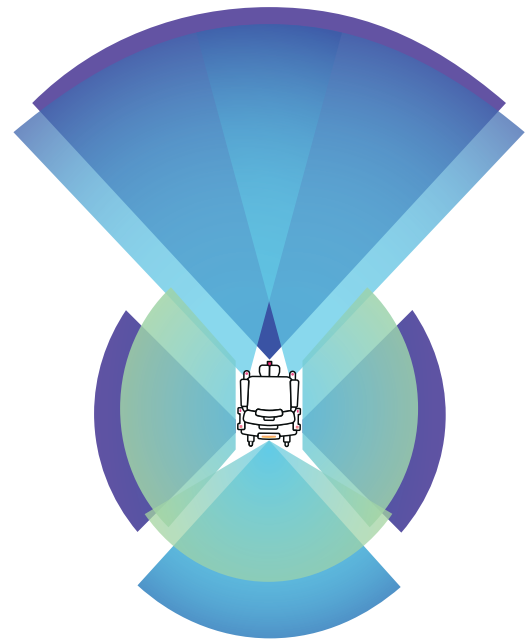
Now that the hardware is set up for the user, point out where all the sensors are. The Scout on the footplate and the FusionSensors along the sides and back of the SmartFrame must all be kept clear of clothes, feet, backpacks etc. during use.



## 4 DISCUSS WHAT LUCI SEES

### From above, it's easy to see: LUCI offers 360° coverage.

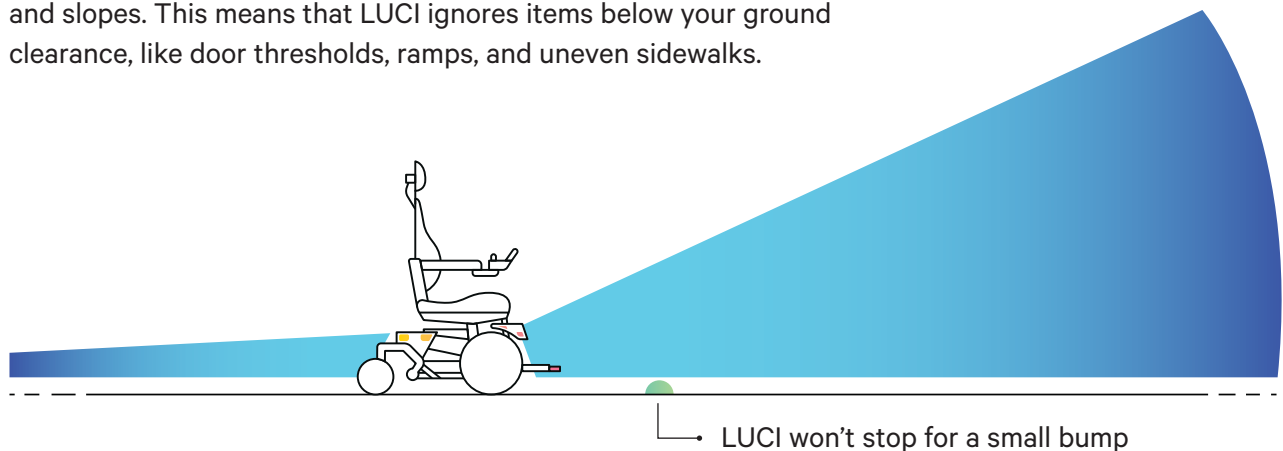
- » LUCI can detect possible collisions and drop-offs in the zones shown, and slow you down for a smooth approach.
- » Objects within about an inch of the wheelchair may not be properly detected.
- » Objects with narrow cross sections (like cables or extremely narrow table legs) may not be detected.
- » Fast moving objects traveling across your path or directly at you may not be detected in time to be avoided.



### Collision Avoidance: Front & Back

LUCI can see more than 10 feet in front and more than 3 feet in back. With the FusionSensors mounted low, keep in mind:

- » LUCI will not limit your chair's capability to climb smaller curbs and slopes. This means that LUCI ignores items below your ground clearance, like door thresholds, ramps, and uneven sidewalks.



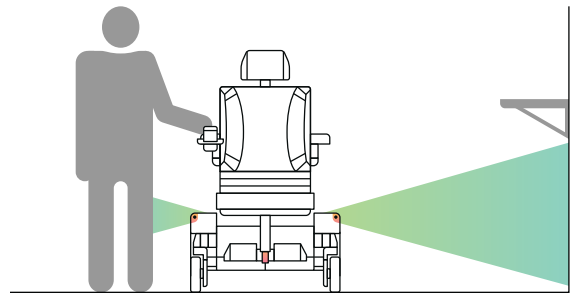
- » LUCI won't see the tops of tables, or overhangs, especially in the back. If you have a table or location that you pull up to regularly, you can put something down low that LUCI can see (like a box), so that you can pull in to the same depth every time!



## Collision Avoidance: Sides

LUCI can see about 3 feet on either side of your chair. Keep in mind:

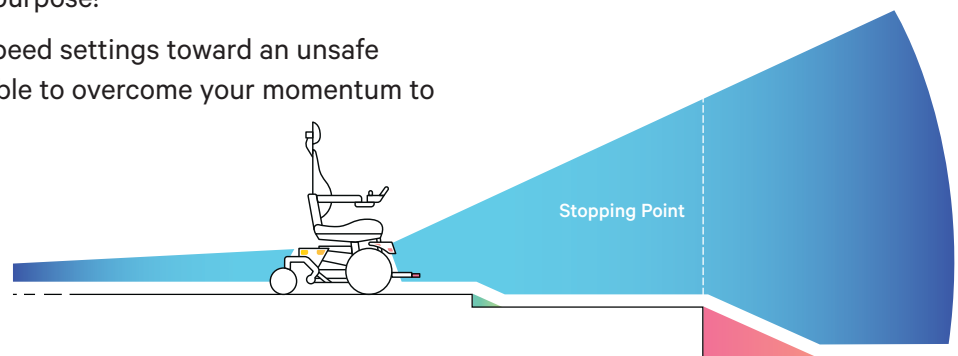
- » LUCI will see your legs, but not your toes.
- » LUCI will not see objects up high, like doorknobs, handrails, and wall shelves.



## Drop-Off Protection

LUCI will allow you to drive down small steps, 3-4 inches, which are within your chair's specified capability, but will monitor for dangerous curbs, and steps. Keep in mind:

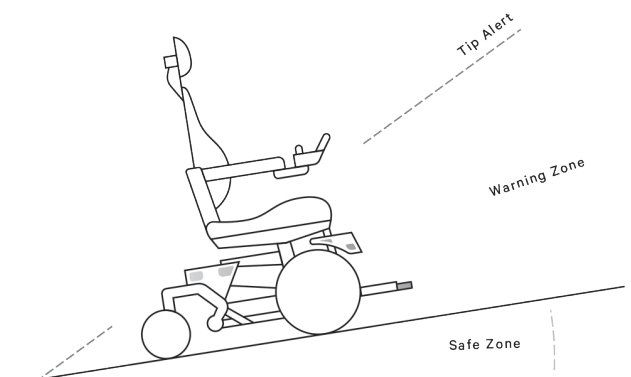
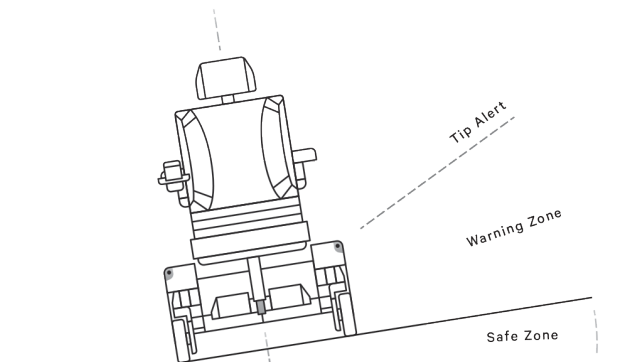
- » Drop-off protection is similar to anti-lock brakes or airbags on a car - please don't test it on purpose!
- » If you drive at the highest speed settings toward an unsafe drop-off, LUCI may not be able to overcome your momentum to stop you in time.



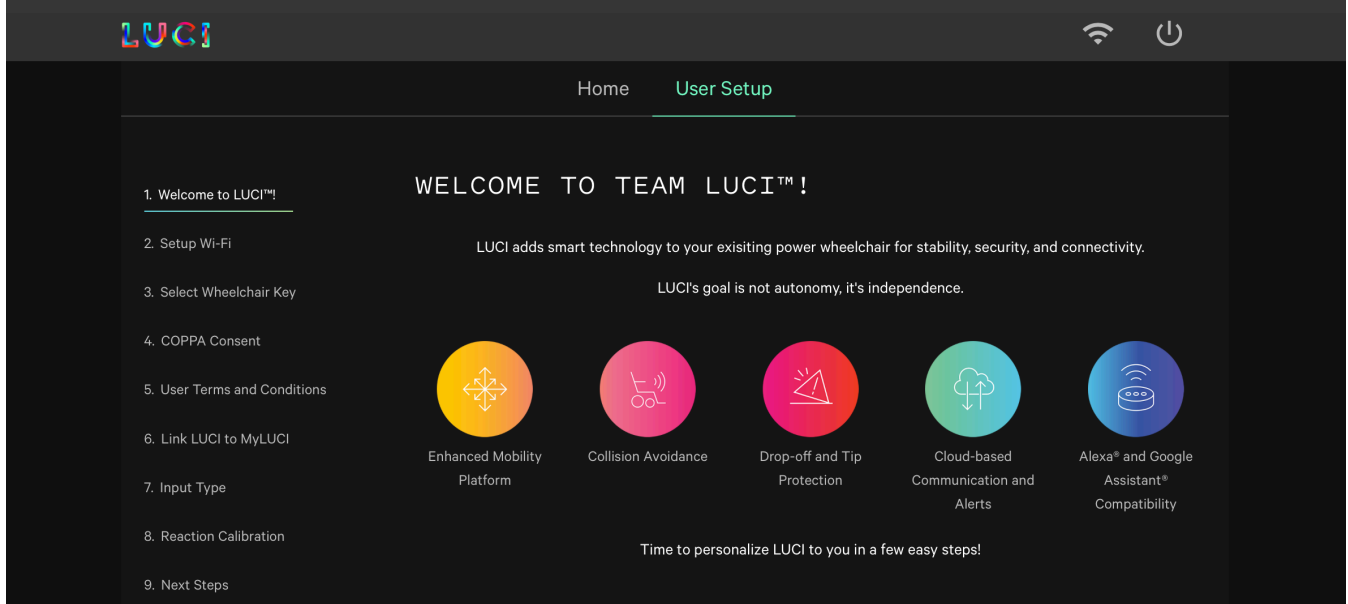
## Tip Protection

LUCI tip protection tracks the orientation of your wheelchair as you drive and alerts you to unsafe slopes with an audible beep and a flashing yellow light on the dashboard.

- » Every wheelchair has a maximum allowable pitch and roll which causes the wheelchair to tip over. Every wheelchair manufacturer publishes maximum allowable angles for safely driving up and down a steep ramp (pitch) or driving across side slopes (roll) for their wheelchair.
- » As you exceed the manufacturer thresholds the yellow LUCI Status light will blink faster and the beeping will become faster.
- » If your wheelchair does tip over, LUCI will sound an audible alarm, the LUCI Status light will turn red, and all wheelchair motion will be stopped.
- » You can use the MyLUCI app to have a Tip Alert sent to a caregiver or loved one.



**For more information about what LUCI sees, go to [luci.com](http://luci.com).**



## 5 RUN THE LUCI SETUP TOOL

The first time you turn on a wheelchair that has a new LUCI unit installed, LUCI will be in Demo Mode. To get LUCI out of Demo Mode and prepare it for use, follow the steps below.



Connection to the internet is required to save your Setup Tool settings.

### With the user in the wheelchair, launch the LUCI Setup Tool:

1. Press and hold the LUCI button on the Dashboard until it beeps and begins to flash quickly.
2. On your mobile device (laptop, tablet or smart phone), search Available Networks and look for the LUCI Setup Wi-Fi choice. If you have more than one LUCI in the area, choose the one where LUCI Setup MMM SSSSS match the model and serial number of the LUCI you are setting up. The network password is **LuciSetup**.
3. Go to your web browser and type in **lucisetup.com** (we recommend using a private or incognito browser tab). You will be brought to the LUCI Setup page. Enter the pin **setup** and hit enter.
4. Follow the on-screen instructions.

**\*Ask the user for their home Wi-Fi network.** They'll need to have it set up, and it's much easier if you help them get it done now. If the user does not know their home Wi-Fi network, they should set it up as soon as possible, so that they can stay up to date with the latest over the air software updates, and take full advantage of LUCI's capabilities.

**\*For the tech-savvy user,** consider connecting LUCI to the hot spot on their cell phone, for Wi-Fi connectivity and LuciVar capability on the go! Data rates may apply.

5. Write down the IP address (on the Home screen) if you plan to use the visualizer. Note that the IP address is unique to each Wi-Fi network and will be different on the user's home Wi-Fi.
6. Once the setup is complete, disconnect from the LUCI Setup Tool and restart the wheelchair.

If you wish to further customize the user's LUCI experience, you can go to the **Configuration tab** in the LUCI Setup Tool. There, you can change the user's drive mode, foot zone and back clearance. The user will also have access to update these settings on their own.

## 6 TAKE A TEST DRIVE!

Now that LUCI is configured for the user, take a test drive.



### First, review the Dashboard lights:

- » Green Personalized Status light means LUCI is operating under the configuration you just set up. If that light isn't on, check for your Wheelchair Key.
- » Green Wi-Fi and Cellular lights mean you're connected and able to send data.
- » Green LUCI Status light means go!
- » Yellow LUCI Status light means caution.
- » Red LUCI Status light means there is a system error; if the red light persists, try restarting the chair.

### Next, try this:

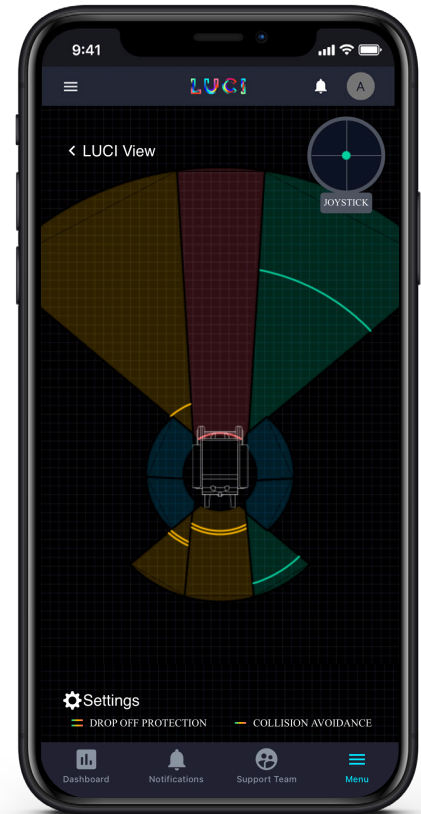
- » Demonstrate the yellow blocked sensor light by standing directly in front of the wheelchair, with your legs in front of the Scout. Then walk in a circle around the chair and watch the LUCI status light change from green to yellow, as you block the side and rear FusionSensors.
- » Stand in front of the Scout, so that the blocked sensor light is yellow. Ask the user to drive forward - LUCI will protect you from getting hit. Then move slowly away from the chair while they continue to drive forward. Do the same thing for driving backwards.
- » Repeat the demonstration for turning - stand to the side of the wheelchair so that the blocked sensor light is yellow and ask the user if they can turn into you. While the user is still trying to turn (the chair should be stopped) step away from the chair and allow them to spin.
- » Place a soft, moveable object (a box or light chair) ahead of the user. Ask the user to drive forward and have LUCI stop the wheelchair at the object. Then have the user push the LUCI Button to override and allow them to push the object out of the way.
- » If appropriate for the user, consider showing the visualizer. On a Wi-Fi connected device, open a web browser and go to [visualizer.myluci.com](http://visualizer.myluci.com) and enter the IP address you wrote down from the LUCI Setup Tool.
- » Have the user drive as you normally would for a test or evaluation. On the drive, point out that LUCI can help the user smoothly navigate down a hallway and around corners, and can provide confidence for navigating crowds by matching the speed of a person in front of the chair.
- » Put the user in a situation where they need to use the LUCI Button to override - for example, to push through a swinging door or to get close enough to transfer out of the chair.

## 7 DOWNLOAD THE MYLUCI APP

At this point in the process, we recommend that you have the user follow the instructions in the email that was sent to them, to finish setting up their MyLUCI account.

Once the account is set up, the user can download the MyLUCI app, available in Android and iOS, log in and explore the many benefits. A few things to focus on here:

- » Support Team - This is where the user can enter contact information for their family, caregiver, or anyone else on their team (including you!), along with specifying what data each contact receives. Each contact will receive an invitation email.
- » LuciView - this visualizer offers an easy visual representation of what LUCI sees, including obstacles and drop-offs. If appropriate, have the user drive around with the LuciView visualizer running, to offer a real-time, 360° view of what LUCI sees.
- » Manage health information from LUCI-compatible devices such as AppleWatch or Wear OS devices.



## FOR MORE INFORMATION OR HELP

Visit [luci.com](https://luci.com) or call **615-813-LUCI (5824); option 2.**

The function of the system is defined as collision avoidance and audio/visual tip alert on the wheelchair. A wheelchair without LUCI has a high likelihood of the hazards that LUCI mitigates by default.

The essential performance of the system requires that LUCI not create unintended motion of the wheelchair and that LUCI alert the user to detected unsafe conditions. No user maintenance is required to maintain basic safety or essential performance.